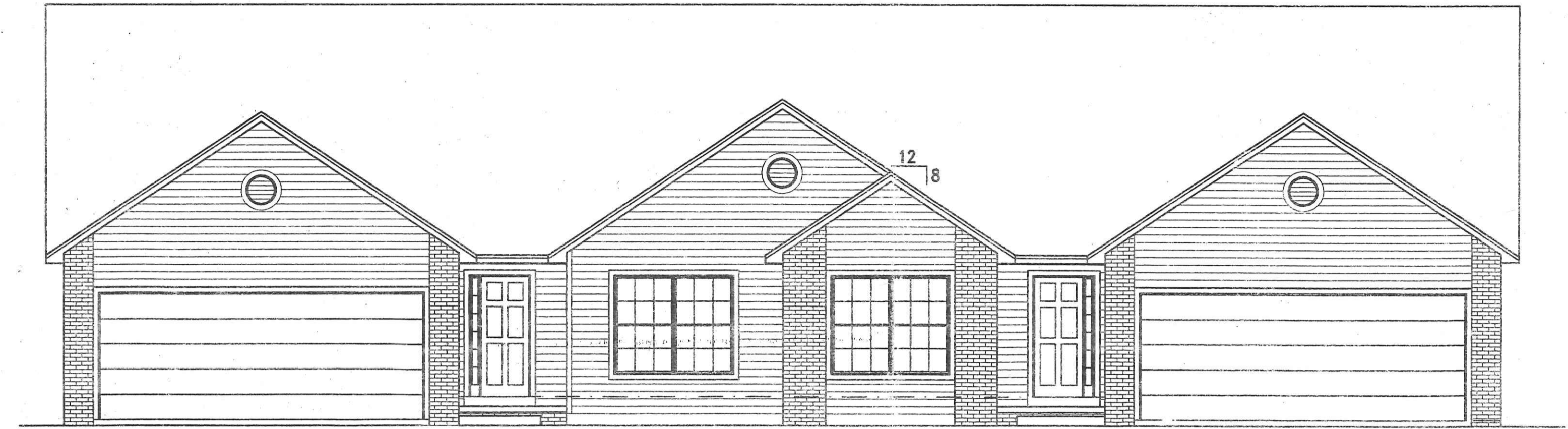
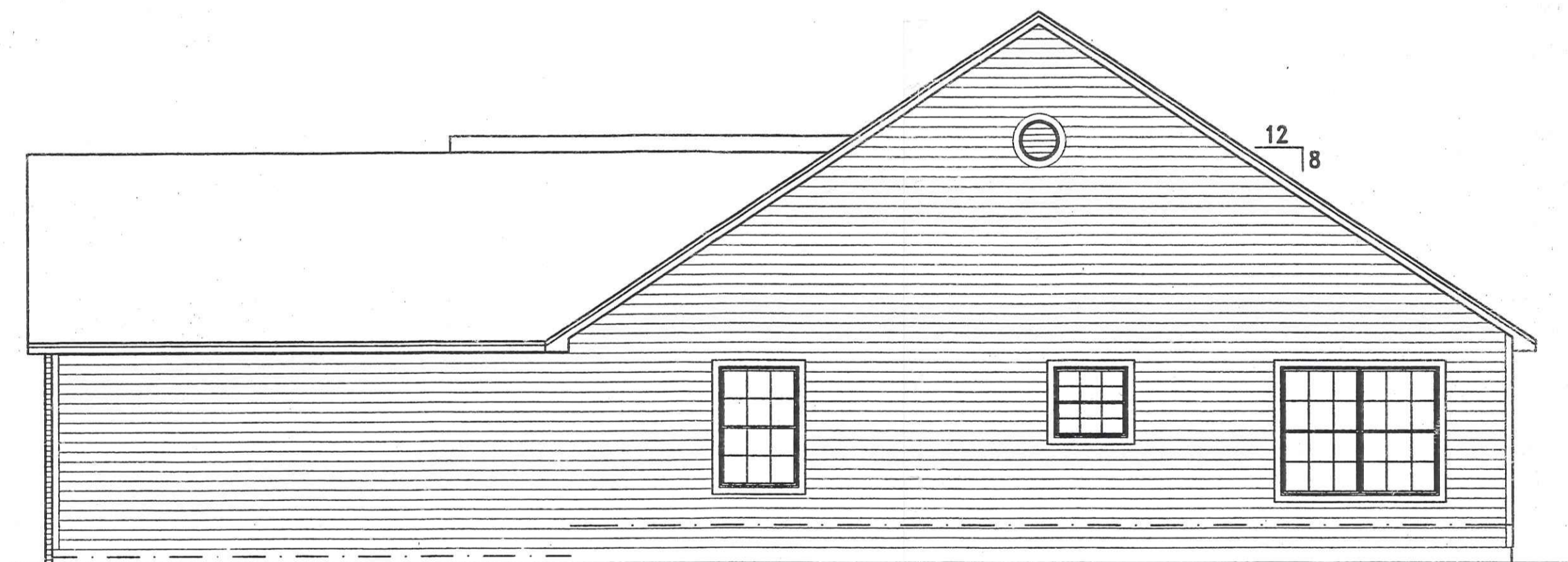




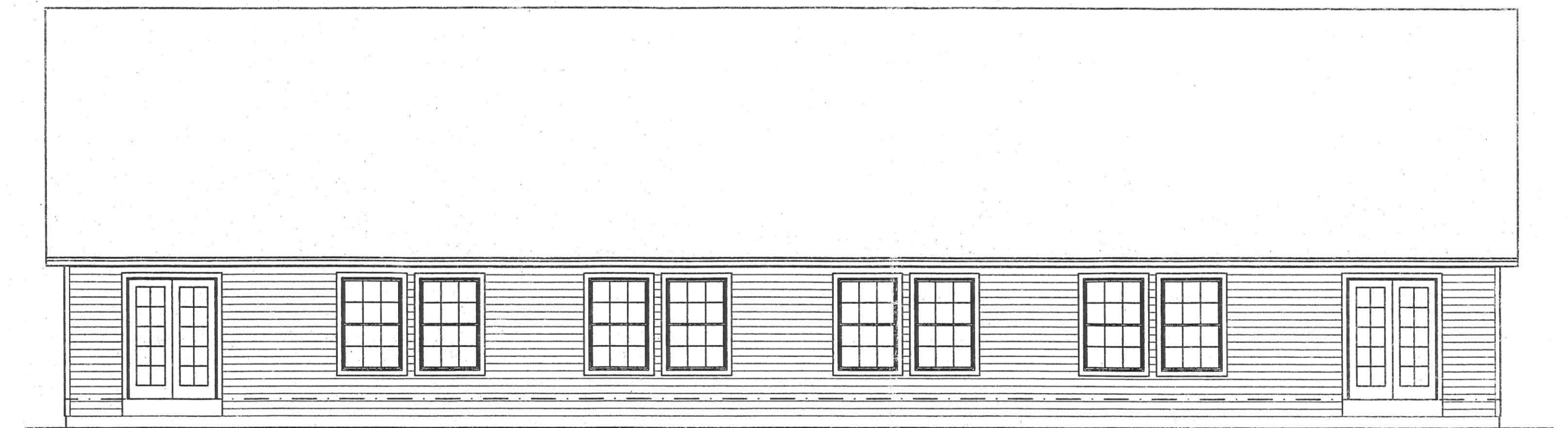
**LEFT SIDE ELEVATION**  
SCALE: 3/16"=1'-0"



**FRONT ELEVATION**  
SCALE: 3/16"=1'-0"



**RIGHT SIDE ELEVATION**  
SCALE: 3/16"=1'-0"



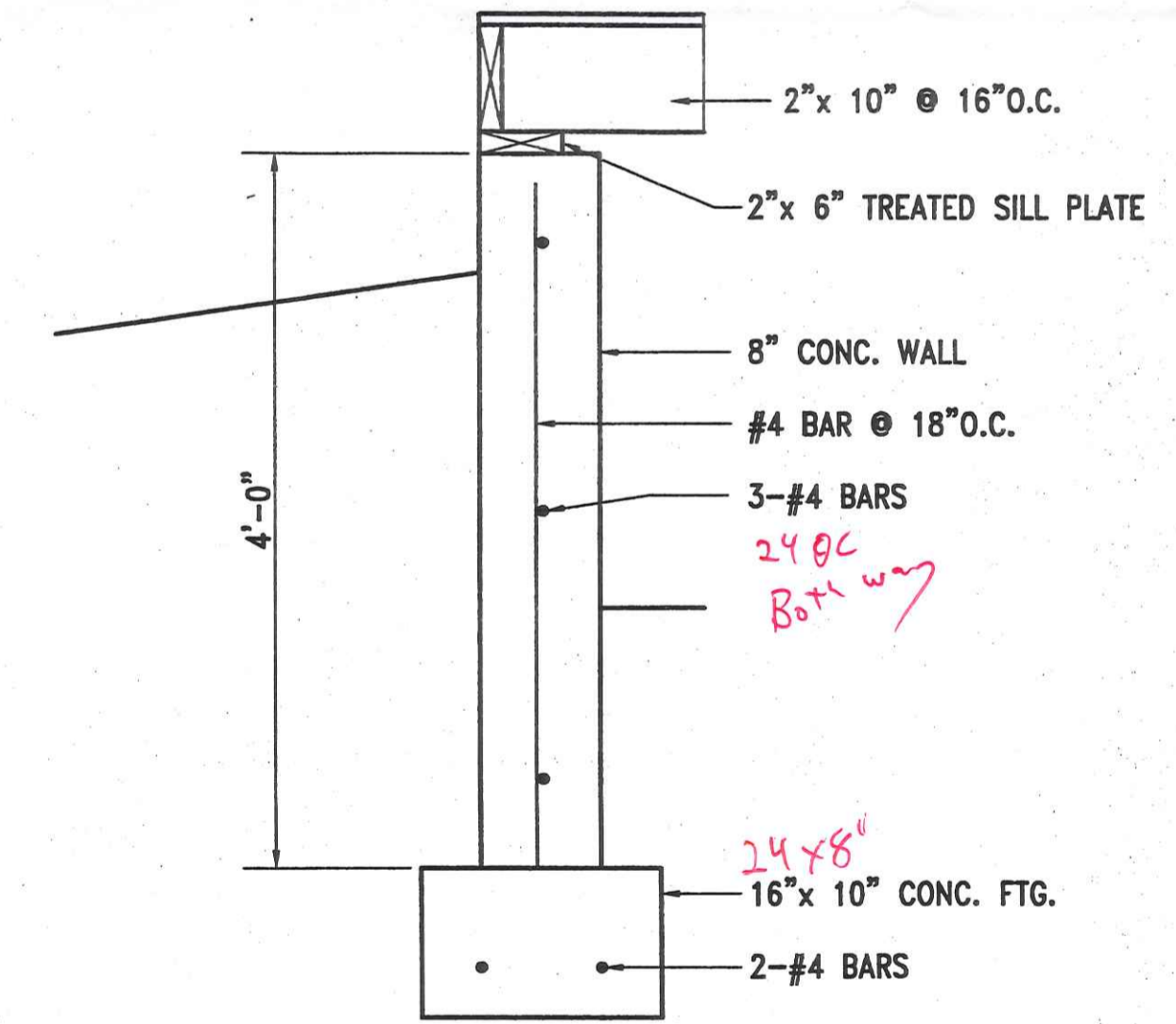
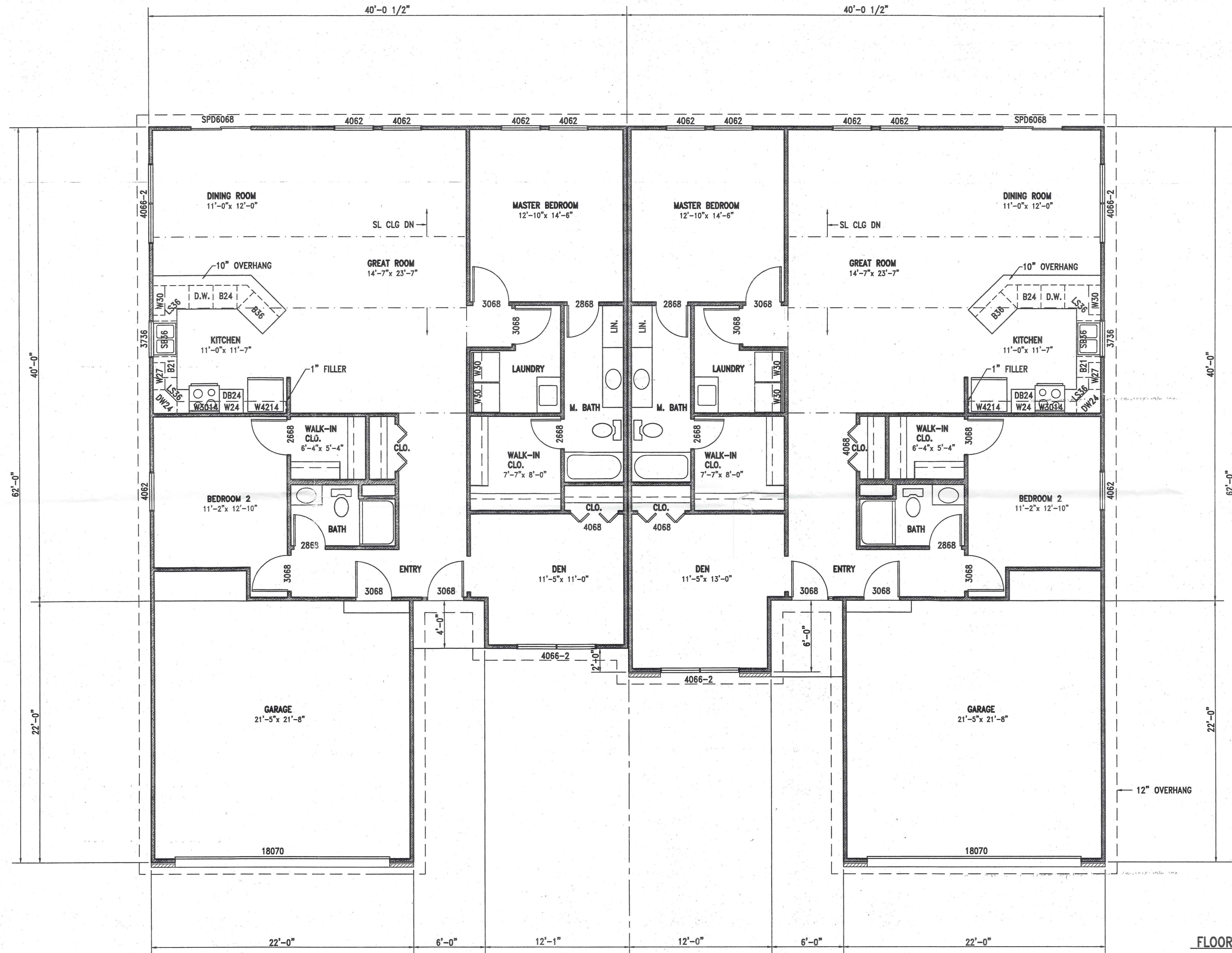
**BACK ELEVATION**  
SCALE: 3/16"=1'-0"

1315 + 1317 LYNN

1317 LYNN

PROPOSED TWO/ THREE BEDROOM CONDO <b>WESTMORELAND VILLAS LLC</b> NAPOLEON, OHIO			
			<b>A-2</b>
DRAWN: JEFF	DATE: FEB. 18, 2006	REVISED:	SHEET NO.

C:\COURTNEY\WESTMORELANDVILLAS\A-2.dwg



TYPICAL WALL DETAIL

FLOOR PLAN  
SCALE: 1/4"=1'-0"

PROPOSED TWO/ THREE BEDROOM CONDO WESTMORELAND VILLAS LLC NAPOLEON, OHIO			
DRAWN:			SHEET
DATE:			A-1
REVISED:			

C:\ACAD\98\RES\WESTMORELANDVILLAS\1-16.DWG